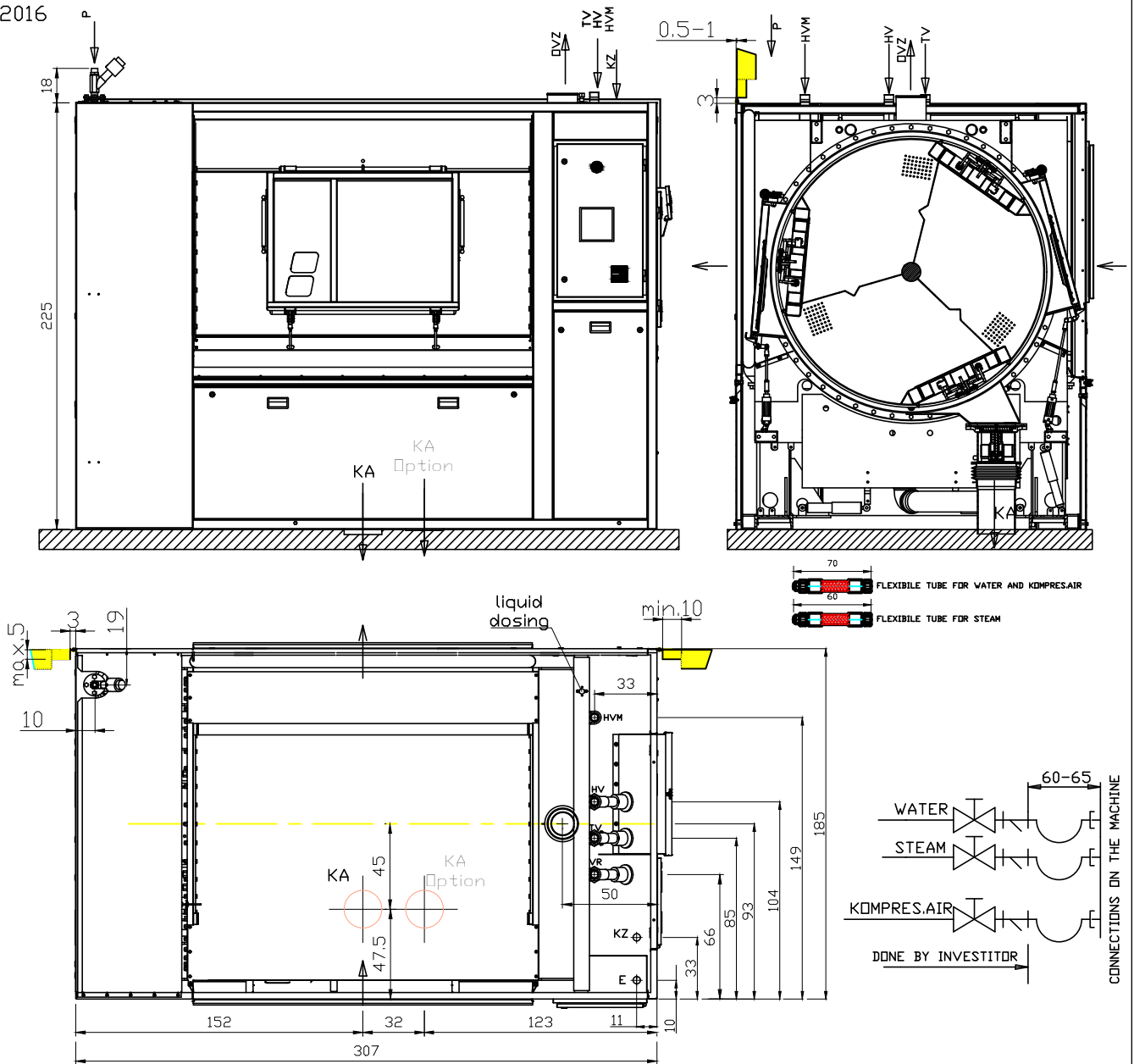


KREBE

WASHING MACHINE PCH-2301
Dimensions scheme

TIPPO

2016



El.connections over GS switch. Leave the length of el.cable longer than 2 m.

Dimensions in cm!

| TEHN. CHARACTERISTICS | Type of the machine | Units | PCH-2301-Pv |
|-----------------------------|---------------------|--------------------|-----------------------|
| CAPACITY | | kg/Filled | 230 |
| DIMENSIONS | | mm | 3070x1850x2250 |
| WEIGHT | | kg | 5700 |
| G-faktor | | | 347 |
| CONNECTIONS: | | | |
| cold water -HV | | | 40 (6/4) |
| warm water 75°C-TV | | | 40 (6/4) |
| cold water-soft -HVM | | | 40 (6/4) |
| water recycling -VR | | | 40 (6/4)_option |
| steam (direct) -P | | | 25 (1) |
| kompresed air -KZ | | | 10 (3/8) |
| air exhaust -DVZ | | | 160 |
| CANALISATION | -KA | mm | 200 |
| EL.CONNECTION CABLE | -E | mm ² Cu | 5x16 |
| EL.CONNECTION POWER | | kW | 22,8 |
| PROTECTION (400V/3NAC/50Hz) | | A | 80 |
| CONNECT.HEAT.POWER: | | | 500kg/h at 8bar=340kW |
| steam | | | |
| kompresed air | | l/s | 2,0 |
| water | | l/s | 3 |
| PRESSURE ON INLETS: | | | |
| water | | bar | 2 - 6 |
| kompresed air | | | 7 - 10 |
| steam | | | 6 - 8 |